

Surface mount transient voltage suppressor power 170 watts

Stand-Off Voltage: 220 V

FEATURES

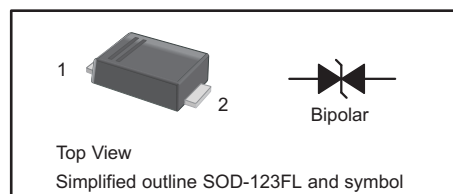
- For surface mounted applications in order to optimize board space.
- Low profile package
- Glass passivated junction
- Excellent clamping capability
- Low incremental surge resistance

MECHANICAL DATA

- Case: SOD-123FL
- Terminals: Solderable per MIL-STD-750, Method 2026
- Approx. Weight:15mg/0.00048oz

PINNING

PIN	DESCRIPTION
1	Cathode
2	Anode



Maximum Ratings and Electrical characteristics

Ratings at 25 °C ambient temperature unless otherwise specified.

Parameter	Symbol	Value	Unit
Peak Pulse Power Dissipation on TA=25°C (Note 1,2,4, Fig1)	P_{PPM}	170	W
Peak Pulse Current on 10/1000 us waveform (Note 1 Fig 2)	I_{PPM}	see Table 1	A
Steady State Power Dissipation (Note 3)	$P_{M(AV)}$	1	W
ESD Voltage per IEC61000-4-2	Contact	V_{ESD1}	± 8
	Air	V_{ESD2}	± 15
Operating Junction and Storage Range	T_j, T_{stg}	-55 to +150	°C

NOTES

1. Non-repetitive current pulse per Fig 3 and derated above $T_A=25^\circ\text{C}$ per Fig 2
2. Mounted on 5mm^2 copper pads to each terminal
3. lead temperature at $T_L=75^\circ\text{C}$
4. Peak pulse powe. waveform is $t_p=10/1000\text{us}$



Characteristics at Ta = 25°C

Table 1

Type	Marking	V _{RWM}	Breakdown Voltage		Test Current	Reverse Leakage	Max. Clamp Voltage	Peak Pulse Current
			V _{BR} @ I _T					
			Min	Max	I _T	I _R @ V _{RWM}	V _C @ I _{PP}	I _{PP}
BI	BI	V	V	V	mA	μA	V	A
SMF1.7J220CA	CE22	220	246	272	1	1	356	0.47

Fig.1 Peak Pulse Power Rating Curve

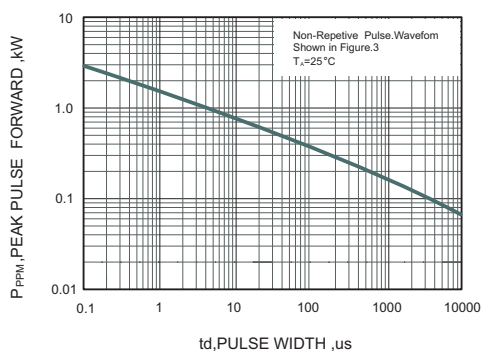


Fig.2 Forward Current Derating Curve

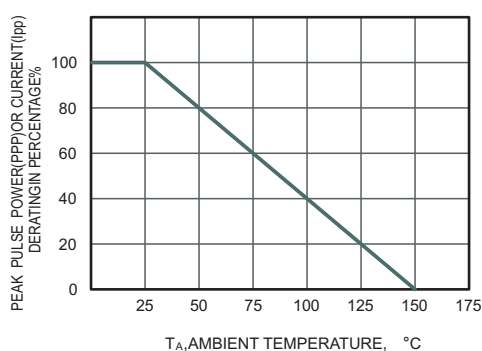
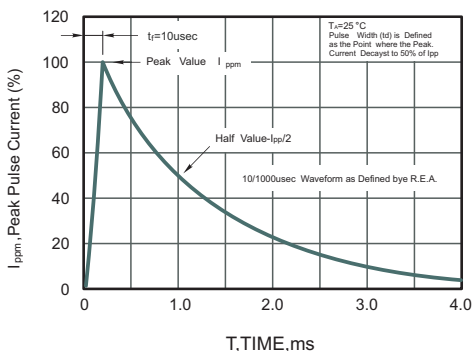


Fig.3 Pulse Waveform

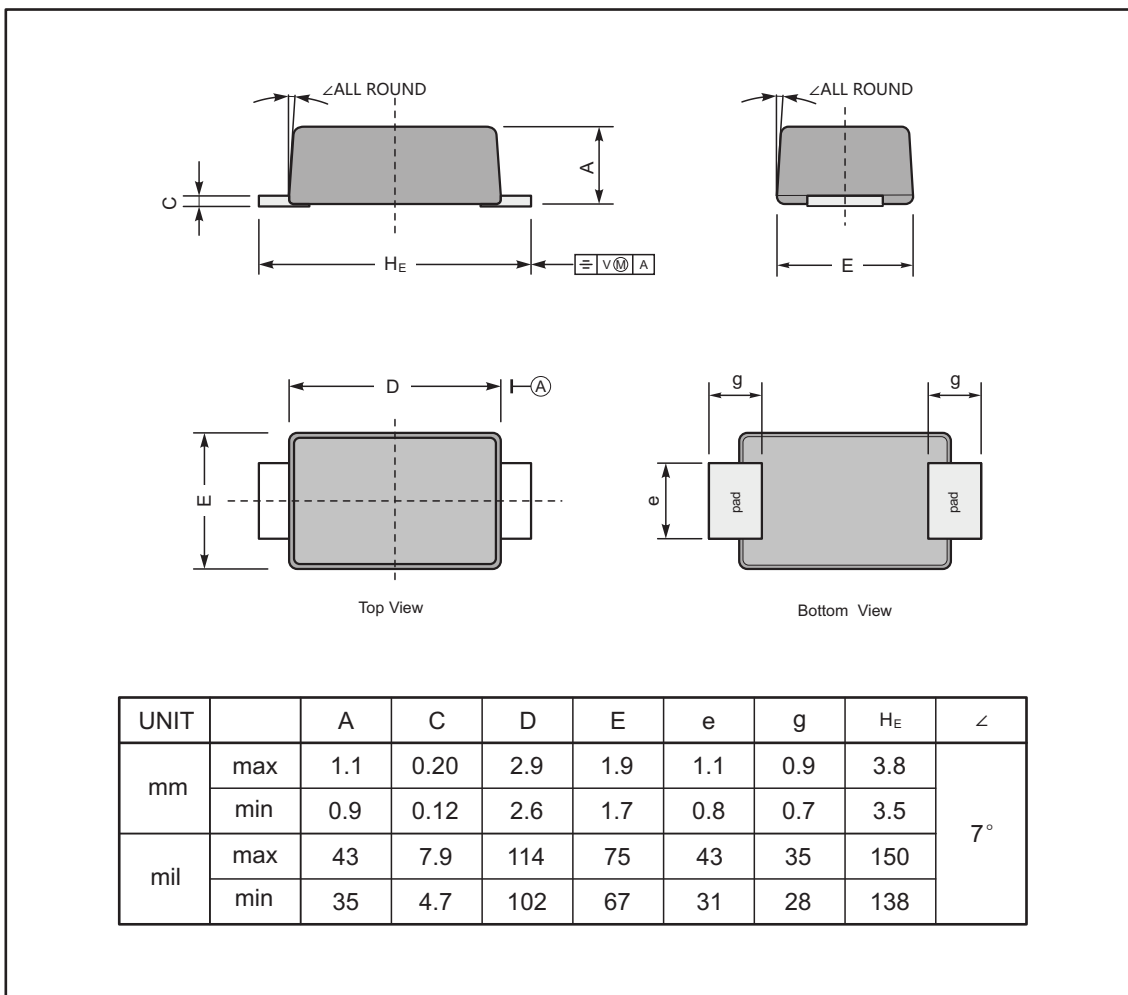




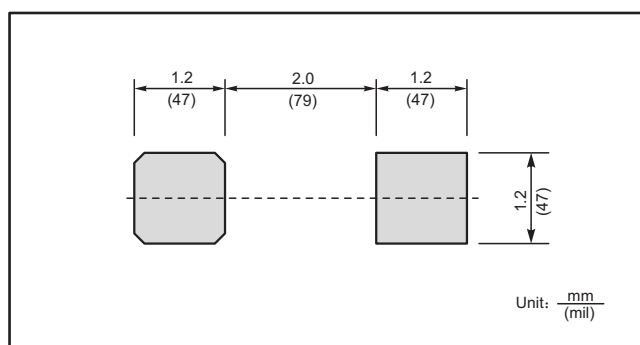
PACKAGE OUTLINE

Plastic surface mounted package; 2 leads

SOD-123FL



The recommended mounting pad size





Important Notice and Disclaimer

Jingdao Microelectronics reserves the right to make changes to this document and its products and specifications at any time without notice.

Customers should obtain and confirm the latest product information and specifications before final design, purchase or use.

Jingdao Microelectronics makes no warranty, representation or guarantee regarding the suitability of its products for any particular purpose, nor does Jingdao Microelectronics assume any liability for application assistance or customer product design.

Jingdao Microelectronics does not warrant or accept any liability with products which are purchased or used for any unintended or unauthorized application.

No license is granted by implication or otherwise under any intellectual property rights of Jingdao Microelectronics.

Jingdao Microelectronics products are not authorized for use as critical components in life support devices or systems without express written approval of Jingdao Microelectronics.